



5x10x10 Golf Net with Frame

SAFETY REMINDERS:

1. Keep pets and unsupervised children away.
2. Keep spectators out of swing range.

A	3-Way Corner	6	Please review the parts you received to be sure you have all the parts.
B	2-way Corner	2	
C	Baffle Tee	2	
D	10' Pieces of 1" EMT**	8	
E	5' Pieces of 1" EMT** (2 - 10' Pieces cut in half)	4	For these instructions the "back" of the cage is the side the impact screen hangs parallel to. The "front" is the side that does not have a pole at the bottom.
F	Golf Net	1	
G	Impact Screen	1	
H	Net Hangers	5	**You will buy a total of 10 pieces of EMT

1. Lay out the four top 3-Way Corners (A) into a 5'x10' square. Lay the EMT, 2 (D) and 2 (E), between the corners.
2. Prepare the poles by sliding the Baffle Tee (C) onto opposing EMT poles (E). Make sure the eye-bolts are facing up. Also, lay another piece of EMT (D) between the Baffle Tees (C).
3. Assemble the top by inserting the poles into the Corners (A). Start with one of the poles with a Baffle Tee (C), and slide the corners over each side. Make sure the corners point down and in. Now move on to the poles (D) that are perpendicular to the Baffle Tee pole (C). Insert all 3 poles into the Corners (A) and the Baffle Tee (C). Slide on the final two corners and place the remaining EMT (E) with the Baffle Tee (C) into those corners. You should now have a closed square with a pole in the middle.
4. Tighten the Corners (A) onto the EMT (D) and (E). Hand tightening should be sufficient, it just supposed to keep the poles from sliding. Do not tighten the 2 Small Tee eye-bolts on the outside pipe. This will allow you to easily adjust your Impact Screen location.
5. Attach the Legs by inserting 4 pieces of EMT (D) into the Corners (A). Tighten the Corners (A) onto the EMT (D) legs.
6. Attach the bottom Corners (A & B) to the left EMTs (D) you just secured. Make sure the 2-Way Corners are at the front, opposite the baffle and pointing towards the rear.
7. Connect the corners with the remaining 3 pieces of EMT 2 (E) and 1 (D). And tighten the corners onto the pipes.
8. Lay out your net (F) inside the frame. Find the 2 s-hooks with red tabs. That is the top, front of the net. The other color signifies the top back of the net. The netting should rest on the loose cord (front to back as indicted by the black dotted line on the diagram) to create your top edges.
9. Hang your net (F) by hooking the s-hooks through the rings on the corners.
10. Attach your Impact Screen to the cross bar with Net Hangers (H).

The pole/pipe we recommend is 1" (ID) EMT (Electric Metallic Tube) conduit and will be located in the electrical section of your local home improvement center.

At Home Depot it's Model #101568 - Store SKU #580015

At Lowes it's Item #72715 - Model #101568

Figure 1

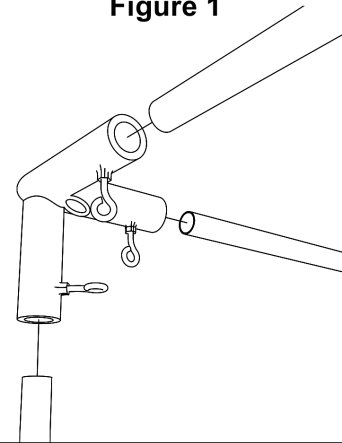
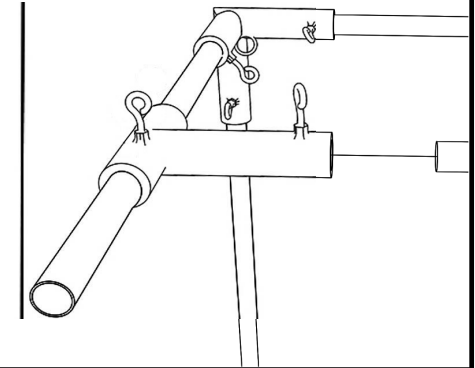


Figure 2



Exploded View

