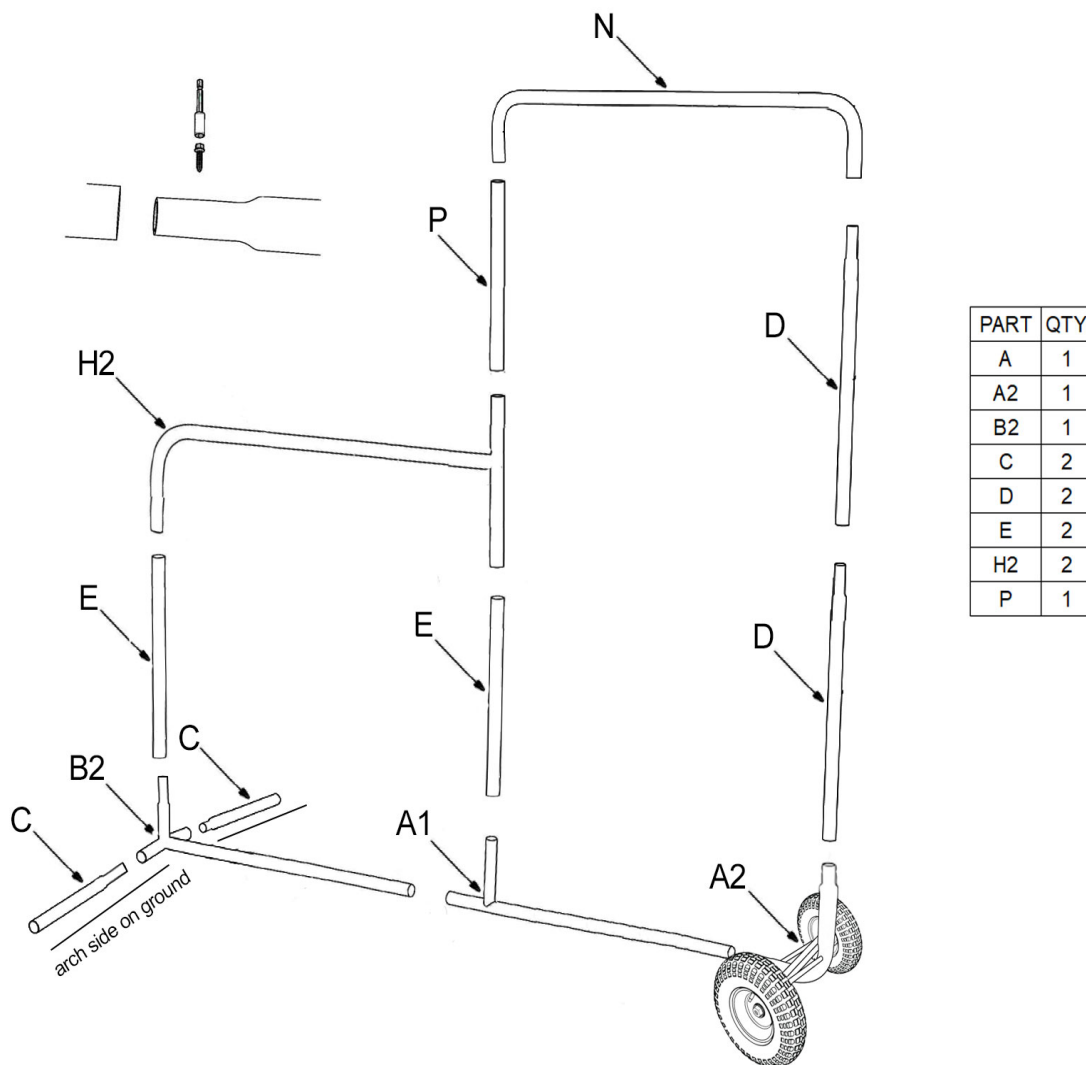




7'x7' Premiere L Frame Assembly Instructions

1. Lay out your pieces and make sure you have all the pieces and know which piece corresponds to each letter.
2. Assemble the frame as per the drawing from the ground up. Do not drill screws.
3. After the frame is assembled, drill a screw through both pipes at every joint. The screws will drill themselves in with a little pressure, no guide hole is necessary.
4. Slide net over frame like a pillowcase.
5. Pull the bottom rope tight and tie.



Arch should be positioned to set on the ground to accommodate uneven surfaces.
Flip or turn it until you have it positioned correctly.