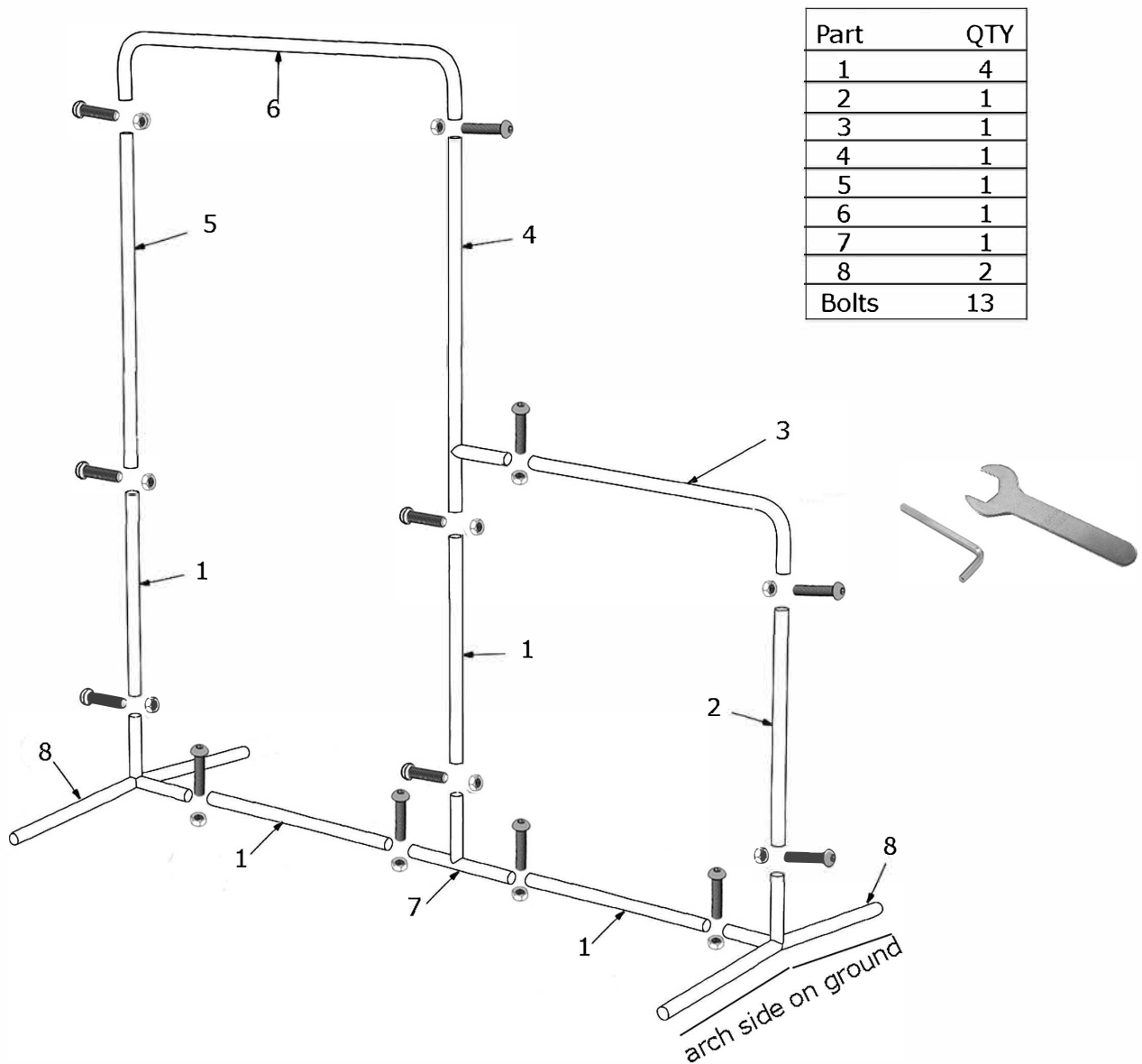




7'x7' #84 L-Net and Commercial Frame

*You will have to use a rubber mallet to hammer down some joints

1. Take all parts out of the box and check to make sure you have all the pieces listed below.
2. Lay out the frame and proceed to connect all of the pieces, as shown in the diagram.
3. Use the included tools to put bolts and nuts at each joint. Thread bolt from the outside to the inside of the frame to prevent net from catching when you slide it over the frame.
4. Lay out the net and slide it over the frame like a pillow case over a pillow. Pull the bottom rope tight and tie.



Part #8 has a slight arch. Arch should be positioned to set on the ground to accommodate uneven surfaces. Flip or turn it until you have it positioned correctly.