



Instructions for the 55x12x12 Batting Cage Frame

The following parts are included for your frame. Please review the parts you received with your batting cage and frame to be sure you have all the parts listed.

PART		QTY
A	3-WAY CORNERS	4
B	4-WAY CORNERS	6
C	16" PIPE W/REDUCED END	5
D	28" PIPE W/REDUCED END	10
G	52" PIPE W/REDUCED END	8
H	NET HANGERS	43
I	PIPE END CAPS	10
J	SELF-DRILLING SCREWS	23
K	18' TIE DOWN ROPES	4
L	ROPE STAKES	4
CL	10' LENGTHS OF EMT	23

You will need an area 55'x17'6" for your frame and an additional 10' at each end for the support ropes.

It is recommended that you mark off this area before starting.

Nut setter included

CONSTRUCTING YOUR FRAME

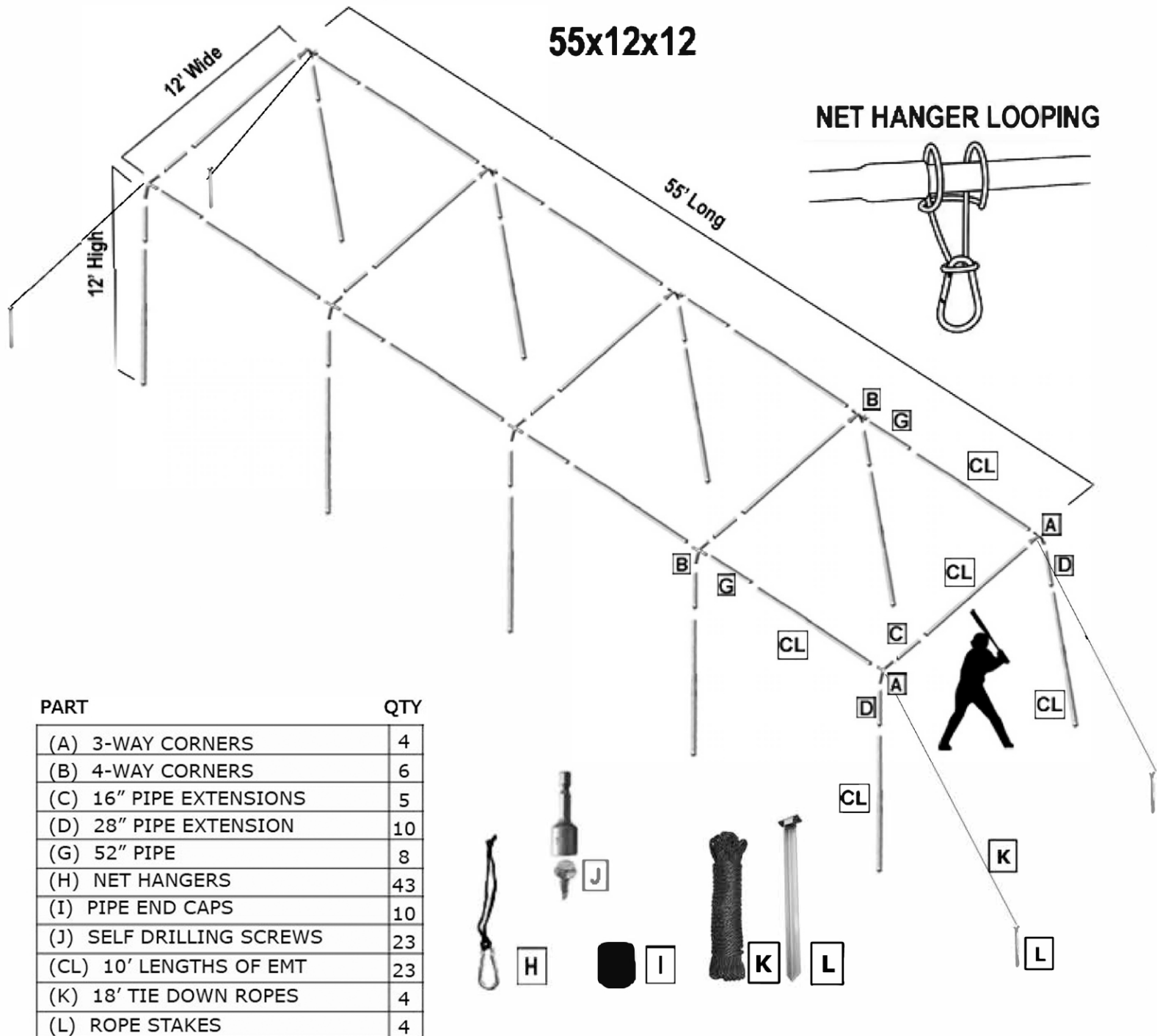
- 1 Lay out two of the 3-way corners (A) 12' apart at one end, where your frame will be, with the 4" corner piece facing toward the other end of the frame.
- 2 Measure 55' from the first 3-way corners (A) to the other end of the frame and lay out the other two 3-way corners with the 4" corner piece facing the other end of the frame.
- 3 Lay out the 4-way arch corners (B) between the end 3-way corners (A) so that they are about 14' apart.
- 4 Assemble the five arch tops by attaching one 10' length of EMT to a 16" pipe (C) . Insert a self-drilling screw (J) at the joint.
- 5 Assemble the arch legs by attaching one 10' length of EMT to one 28" pipe (D). Insert a self-drilling screw (J).
- 6 Complete assembling the arches by attaching the arch tops to the corners. Proceed to attach the legs to the corners of each arch. Attach end caps (I) to the bottom of the frame legs.
- 7 Assemble the eight runners, that go between the arches, by attaching one 10' length of EMT to a 52" pipe (G). Insert a self-drilling screw (J) to the 10' and the 52" pipe (G).
- 8 Stand up one end arch and attach a 14' runner to each of the end corners. Stand up the second arch and attach the runners to it. Proceed to stand up the remaining arches and connect all the runners.

Your frame should end up being about 56' long.

HANGING YOUR BATTING CAGE

- 1 Lay out your batting cage inside the frame and find the three ropes on top of the cage at one end. Proceed to attach the ropes to the arch top at one end of the frame. Then attach the three ropes, at the other end of the batting cage, to the other end of the frame.
- 2 Attach the net hangers (H) to the runners of the frame, about four feet apart, by laying the rope end over the pipe and inserting the carabiner through the loop. Then attach a net hanger to the middle of each arch.
- 3 Start at one end and lift up one side of the net and attach the net hangers to it by clipping the carabiner to the rope along the top side of the net.
- 4 Attach the middle of the net rope, below the arch tops, to the middle of the arch tops.
- 5 Lift up the other side of the net and attach it to the runners the same way as #3.
- 6 Tie the four rope tails on the batting cage to the bottom of the end arches to prevent the wind from blowing the net inward.

To secure the frame, we recommend that you attach two 18' ropes to each end of the frame and stake the ropes to the ground.



PART	QTY
(A) 3-WAY CORNERS	4
(B) 4-WAY CORNERS	6
(C) 16" PIPE EXTENSIONS	5
(D) 28" PIPE EXTENSION	10
(G) 52" PIPE	8
(H) NET HANGERS	43
(I) PIPE END CAPS	10
(J) SELF DRILLING SCREWS	23
(CL) 10' LENGTHS OF EMT	23
(K) 18' TIE DOWN ROPES	4
(L) ROPE STAKES	4